

MVP 006 Diaphragm Pump



A Diaphragm Pump like None Other in the World!

**Compact. Light.
Six Liter per Minute Pumping Speed.**

PFEIFFER  **VACUUM**

MVP 006 Diaphragm Pump

Small pump, big performance

The new MVP 006 Diaphragm pump offers you a pumping speed of 6 liters per minute. The pump is ideally suited for integration into ever-smaller analytical systems and high-vacuum pumping stations. You save on lower operating costs thanks to the long service life of the diaphragm. This is achieved by optimizing the speed of the pump and by the high-quality diaphragm material.

The diaphragm pump can be optimally combined with our TMH/U 071 and TPD 011 turbopumps. Fully automated control of

diaphragm pump and turbopump assure safe, reliable operation of your vacuum system. With the diaphragm pump's low backing vacuum pressure and the turbopump's high pressure tolerance, we offer you an ideally matched high-vacuum pumping system. For dry applications where low power consumption, ease of portability and reliable operation is required.

This diaphragm pump is simply the best in the pumping speed range of up to 6 Liter per minute!



Laboratories



Mass Spectrometry



Research & Development

Advantages at a glance

- ▶ Absolutely dry, oil-free vacuum
- ▶ Long diaphragm service life
- ▶ 6 l/min pumping speed
- ▶ Compact and light
- ▶ Very quiet operation

Applications

- ▶ Backing pump for Pfeiffer Vacuum TMH/U 071 and TPD 011 turbopumps
- ▶ Stand-alone pump where dry, oil-free vacuum is needed, e.g.
 - In laboratories
 - In research & development



- ▶ Integrated in a mass spectrometer system
- ▶ Integrated in small, mobile turbo pumping stations

The solution for your compact vacuum system!

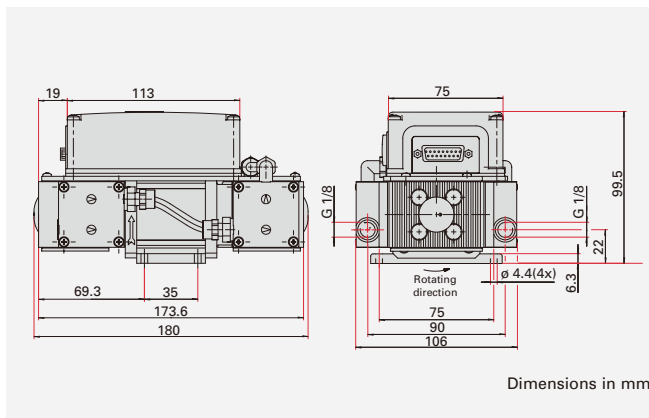
Technical data

MVP 006		MVP 006	
Ultimate pressure	≤ 2.0 mbar	Leak rate	6 · 10 ⁻² mbar l/s
Nominal pumping speed	6 l/min	Max. exhaust pressure	1,300 mbar
Mains requirement	24 VDC +/- 10 %	Ambient temperature	5–40 °C
Motor rating max.	17.2 W	Weight	1.8 kg
Current max.	0.72 A	Sound pressure level	45 dB(A)

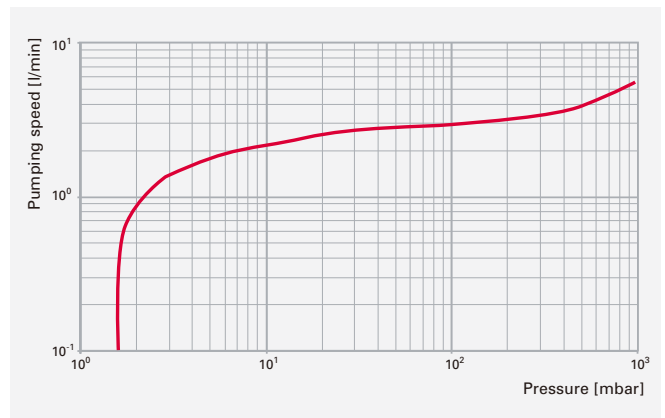
Order number

MVP 006	PK T05 070
---------	------------

Dimensions



Pumping speed



Accessories

	MVP 006 + TPD 011	MVP 006 + TMH 071
TPD 011 turbopump	PM P02 607 A	–
TMH 071 turbopump, DN 63 ISO-K ¹⁾	–	PM P03 523
Connection kit	PM 016 525-T	P 0920 739 E
Connection cable turbopump/TPS/MVP, length 0.5 m	PM 061 192-T	PM 061 192-T
Power supply, TPS 150	PM 051 461-T	PM 051 461-T
Mains cable 230 VAC, safety plug, length 3 m	P 4564 309 ZA	P 4564 309 ZA
Mains cable 115 VAC, US plug, length 3 m	P 4564 309 ZE	P 4564 309 ZE
HPU 001	PM 051 510-T	PM 051 510-T

¹⁾ Further versions available

For using as stand-alone pump: TPS 100 (PM 041 827-T) + connection cable (PM 051 421-T)

If you need further help for additional accessories, please contact us!

Vacuum is nothing, but everything to us!

Pfeiffer Vacuum has been setting technological milestones for creating, measuring and analyzing vacuum for over 100 years. Our comprehensive product range covers individual components to complex vacuum systems.

Quality and service worldwide from the inventor of the turbopump: Pfeiffer is the international market leader with more than 280,000 turbopumps sold to date.

Do you have questions about your application? Please ask us.



All data subject to change without prior notice. PU 0048 PE (October 2006)

Sales, consulting and service

- ▶ Worldwide on-site service
- ▶ Comprehensive in-factory and on-site training programs
- ▶ Modular service system ranging from spare parts to maintenance contracts

PFEIFFER  **VACUUM**

Pfeiffer Vacuum · Headquarters/Germany

Phone +49 (0) 6441-802-0 · Fax +49 (0) 6441-802-202 · info@pfeiffer-vacuum.de · www.pfeiffer-vacuum.net